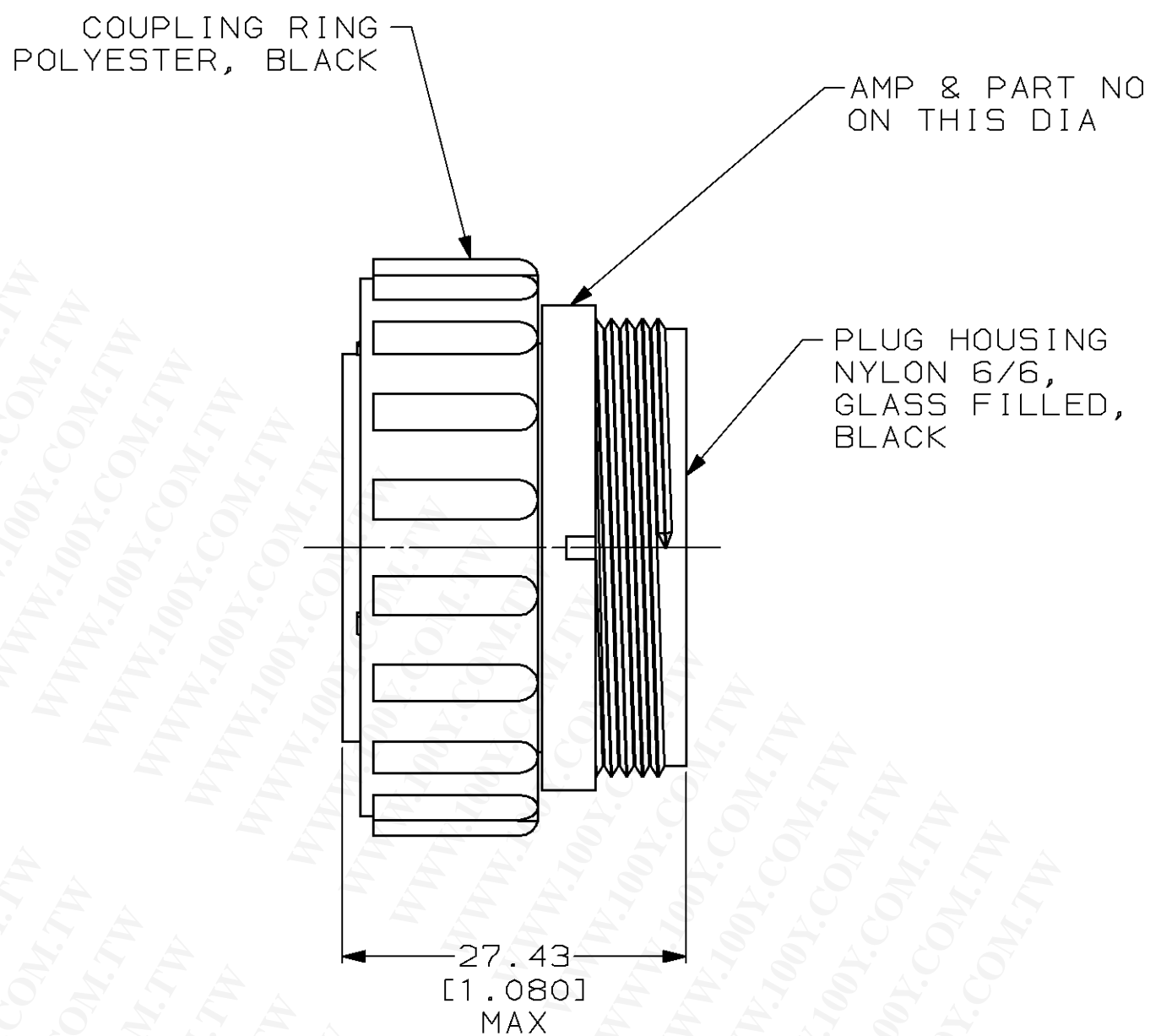
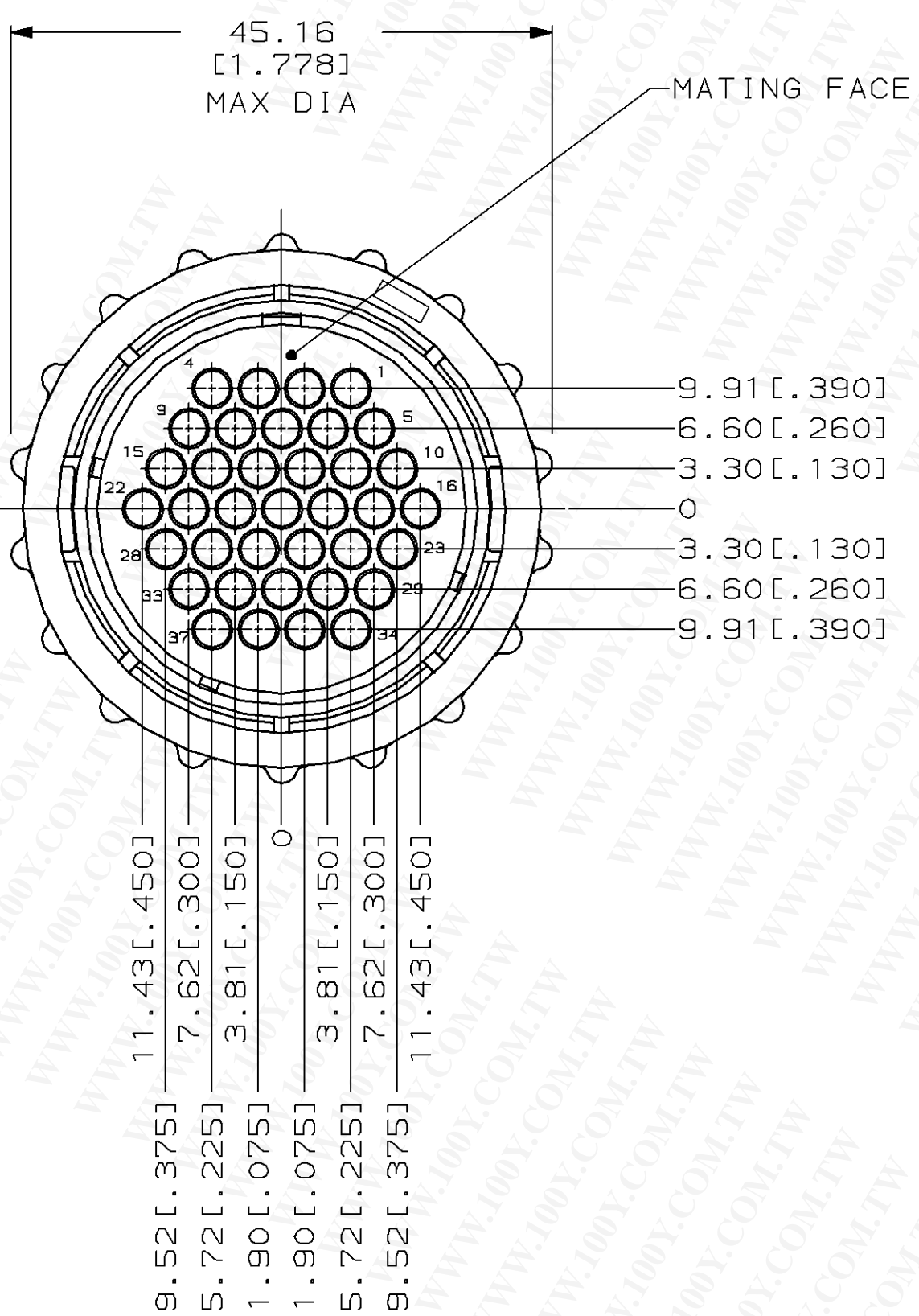


LOC	DIST	P	F	REVISIONS				
				ZONE	LTR	DESCRIPTION	DATE	APPD
FT	4			0		RLSE PER NPR 5254 WAS 94-5029-020-01	01/03/95	AF
				A		REV PER EC 0020-68-95	02/07/95	AF
				B		REV PER EC 0020-738-95	17 JUL 95	RB
				C		REV PER EC 0320-7-97	16 JAN 97	KD



勝特力材料 886-3-5753170
 勝特力电子(上海) 86-21-34970699
 勝特力电子(深圳) 86-755-83298787
[Http://www.100y.com.tw](http://www.100y.com.tw)

- CONTACT CAVITIES IDENTIFIED BY CHARACTERS ON FRONT AND REAR FACES OF CONNECTOR.
- THIS CONNECTOR WILL ACCEPT (37) MULTIMATE SOCKET CONTACTS.

213848-1
 PART NUMBER

DO NOT SCALE PRINT. UNLESS SPECIFIED DIMENSIONS IN mm [INCHES] TOLERANCES ON: 2 PLC DEC ± 0.13 [.005] 3 PLC DEC ± - ANGLES ± -	DR 01/03/95 K.FOLTZ CHK 01/09/95 R.STONE APPD 01/10/95 T.COULSON APPD 01/16/95 A.FRANTUM	AMP AMP Incorporated Harrisburg, PA 17105-3608	
MATERIAL SEE CALLOUT	PRODUCT SPEC -	NAME PLUG ASSEMBLY, STANDARD SEX, SIZE 23, SERIES I, CPC	
FINISH -	APPLICATION SPEC -	SIZE C	CAGE CODE 00779
	WEIGHT -	SCALE 2:1	DRAWING NO 213848
			SHEET 1 OF 1